

# Advanced Conveyors & Bulk Handling Systems

The SMART Conveyor™ Company

**BE  
&E**

FLAMELESS EXPLOSION VENTS



## SMART CONVEYOR™ OPTIONS

SMART Conveyors™ from BE&E are available with a plethora of optionals related to aesthetics, safety, material testing, performance, and maintenance reduction.

MORE  
**FUNCTIONS**

MORE  
**OPTIONS**

MORE  
**APPLICATIONS**



[www.BEandE.com](http://www.BEandE.com)



+1 317-522-0864



[Info@Biomass-Equipment.com](mailto:Info@Biomass-Equipment.com)

BURST PANELS  
INSPECTION DOORS  
DELUGE NOZZLES  
CONDUIT SUPPORTS  
CUSTOM COLOR

# Advanced Conveyors & Bulk Handling Systems

The SMART Conveyor™ Company



## CONVEYOR OPTIONS

**MORE FUNCTIONS**

**MORE OPTIONS**

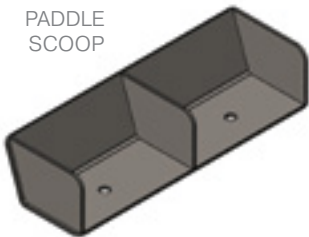
**MORE APPLICATIONS**



**01**

### MORE FUNCTIONS

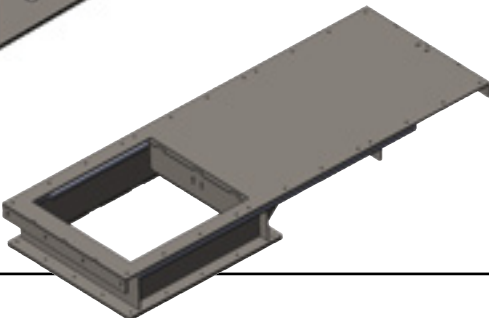
- Extended tops
- Tail scoops
- Paddle scoops
- Slide gates (electric or pneumatic)
- Sweep brushes
- Conduit mounts
- Manual sample ports
- Mid-floors



PADDLE SCOOP



PADDLE BRUSH



SLIDE GATE



MANUAL SAMPLE PORT

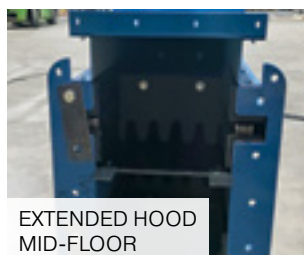
**02**

### MORE OPTIONS

- Flop and diversion gates
- Explosion burst panels
- Flameless vents
- Automatic deluge with spark detection
- Sealed inspection doors
- AR steel floor liners
- Powder coat, galvanized, and stainless steel finishes
- Custom colors



GALVANIZED FINISH



EXTENDED HOOD MID-FLOOR



FLOP GATE

**03**

### MORE APPLICATIONS

- Stainless steel ash conveyor
- Single or multiple curves
- Top- or bottom-drag
- Three series with differing heights and capacities: S (standard), M (medium), and T (tall)